

ELECTRIC CABINET HEATER WITH INTEGRATED THERMOSTAT

TYPE: LH - 1502

Power range: 33W - 125W
 Voltage range: 12V - 400V



ceramic heating elements
 no need of an external controller
 low surface temperature



Technical data

Order-No.	802000	802001	802002	802003
Voltage ¹	230V AC			
Power	33W	55W	90W	125W
Operating current	0,14A	0,24A	0,39A	0,54A
Weight	570g			
Dimensions (LxWxH)	151,9x72x62mm			
Ingress protection ⁴	IP30			
Safety class	SK I			
Operating temperature range / Storage temperature	-40 – +70 °C			
Connection cable ²	0,50m 3x0,75mm ²			
Heating element	ceramic heating elements			
Mounting ²	snap-mounting for 35mm DIN-rail			
Type of connection	wiring cable 3x0,75mm ²			
Surface temperature (at 20 °C ambient temperature)	according to temperature setting (see switch-off temperature)			
Temperature settings (intrinsic temperature) ¹	standard: <25°C On / 60°C Off			
Mounting position	horizontal			

(1) customized production for different voltage and temperature settings are available on request
 (2) customized production for different cable length and mounting are available on request
 (3) UL Version is available on request
 (4) IP54 is available on request



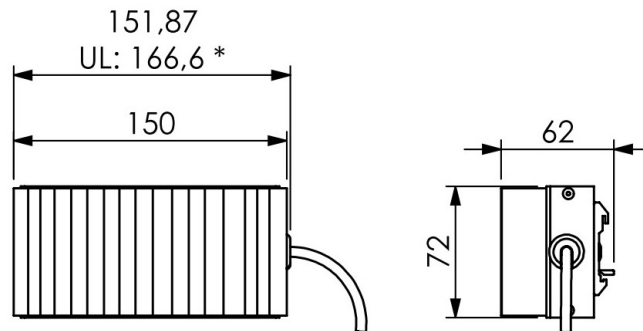
Special voltage

Special temperature settings

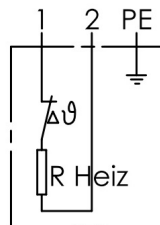
12V AC/DC, 24V AC/DC, 48V AC/DC, 115V, 400V

tropic: <35°C On / 70°C Off
 high tropic: <50°C On / 80°C Off
 anti-freeze: <10°C On / 60°C Off

Dimensions



Wiring diagram



U	bn (1)	bl (2)	gn/ge (3)
<= 48V DC	+	-	⏏
<= 48V AC	~	~	⏏
>= 115V AC	L1	N (L2)	PE

The information described on this data sheet contains descriptions or characteristics, which could not apply in the described way in the concrete case. The information of the products can also change in the course of development. The desired characteristics are only binding in the case that they have been explicitly agreed with a contract conclusion. Delivery possibilities and technical changes reserved.

The mentioned technical data have been determined under labor conditions by universal test instructions. Only insofar characteristics are ensured. The test for the suitability for the intended use scheduled by the purchaser is incumbent on the purchaser; we do not take warranty for that. Errors reserved.