

## ELECTRIC CABINET HEATER WITH INTEGRATED THERMOSTAT

TYPE: WADI - IP65

Power range: 180W - 500W  
 Voltage range: 115V - 440V



ceramic heating elements  
 no need of an external controller  
 low surface temperature  
 IP 65



### Technical data

Order-No.	806000	806001	806002
Voltage <sup>1</sup>		230V AC	
Power	180W	250W	500W
Operating current	0,78A	1,09A	2,17A
Weight		1400g	
Dimensions (LxWxH)		195,6x88x91 mm	
Ingress protection		IP65	
Safety class		SK I	
Operating temperature range / Storage temperature		-40 – +70 °C	
Connection cable <sup>2</sup>		0,50m 3x0,75mm <sup>2</sup>	
Heating element		ceramic heating elements	
Mounting <sup>2</sup>		snap-mounting for 35mm DIN-rail	
Type of connection		wiring cable 3x0,75mm <sup>2</sup>	
Surface temperature (at 20 °C ambient temperature)		according to temperature setting (see switch-off temperature)	
Temperature settings (intrinsic temperature) <sup>1</sup>		standard: <25°C On / 60°C Off	
Mounting position		vertical	

(1) customized production for different voltage and temperature settings are available on request

(2) customized production for different cable length and mounting are available on request



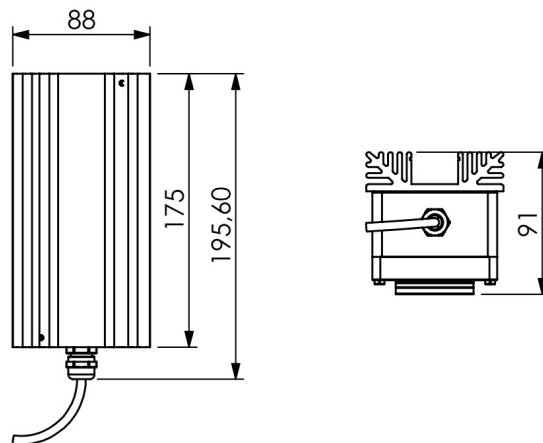
### Special voltage

### Special temperature settings

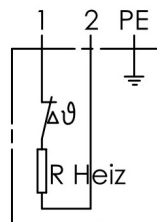
115V, 400V, 440V

tropic: <35°C On / 70°C Off  
 high tropic: <50°C On / 80°C Off  
 anti-freeze: <10°C On / 60°C Off

### Dimensions



### Wiring diagram



U	bn (1)	bl (2)	gn/ge (3)
>= 115V AC	L1	N (L2)	PE

WADI - IP65

The information described on this data sheet contains descriptions or characteristics, which could not apply in the described way in the concrete case. The information of the products can also change in the course of development. The desired characteristics are only binding in the case that they have been explicitly agreed with a contract conclusion. Delivery possibilities and technical changes reserved.

The mentioned technical data have been determined under labor conditions by universal test instructions. Only insofar characteristics are ensured. The test for the suitability for the intended use scheduled by the purchaser is incumbent on the purchaser; we do not take warranty for that. Errors reserved.