

## ELECTRIC CABINET HEATER WITH INTEGRATED THERMOSTAT

TYPE: SUPER-MINI

Power range: 10W - 20W  
 Voltage range: 12V - 400V



ceramic heating elements  
 no need of an external controller  
 low surface temperature



### Technical data

Order-No.	807000	807001
Voltage <sup>1</sup>	230V AC	
Power	10W	20W
Operating current	0,04A	0,09A
Weight	180g	
Dimensions (LxWxH)	78,4x50x47,5 mm	
Ingress protection	IP30	
Safety class	SK I	
Operating temperature range / Storage temperature	-40 – +70 °C	
Connection cable <sup>2</sup>	0,25m 3x0,75mm <sup>2</sup>	
Heating element	wire wound resistor	
Mounting <sup>2</sup>	snap-mounting for 35mm DIN-rail	
Type of connection	wiring cable 3x0,75mm <sup>2</sup>	
Surface temperature (at 20 °C ambient temperature)	according to temperature setting (see switch-off temperature)	
Temperature settings (intrinsic temperature) <sup>1</sup>	standard: <25°C On / 60°C Off	
Mounting position	vertical	

(1) customized production for different voltage and temperature settings are available on request  
 (2) customized production for different cable length and mounting are available on request



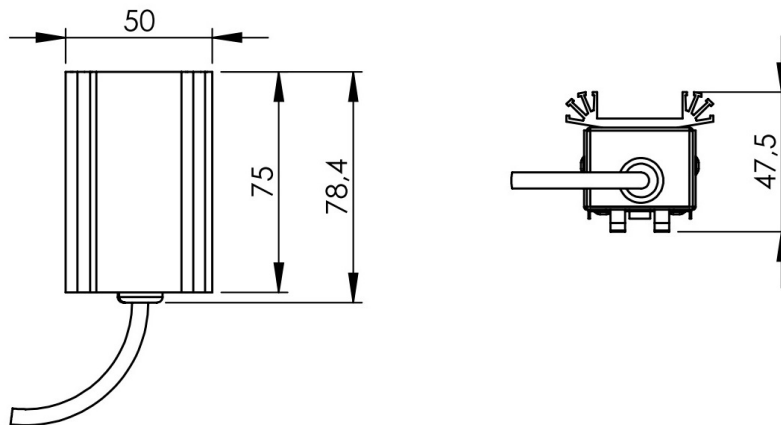
### Special voltage

### Special temperature settings

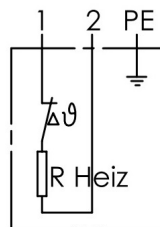
12V AC/DC, 24V AC/DC, 48V AC/DC, 115V, 400V

tropic: <35°C On / 70°C Off  
 high tropic: <50°C On / 80°C Off  
 anti-freeze: <10°C On / 60°C Off

### Dimensions



### Wiring diagram



U	bn (1)	bl (2)	gn/ge (3)
≤ 48V DC	+	-	⏏
≤ 48V AC	~	~	⏏
≥ 115V AC	L1	N (L2)	PE

The information described on this data sheet contains descriptions or characteristics, which could not apply in the described way in the concrete case. The information of the products can also change in the course of development. The desired characteristics are only binding in the case that they have been explicitly agreed with a contract conclusion. Delivery possibilities and technical changes reserved.

The mentioned technical data have been determined under labor conditions by universal test instructions. Only insofar characteristics are ensured. The test for the suitability for the intended use scheduled by the purchaser is incumbent on the purchaser; we do not take warranty for that. Errors reserved.