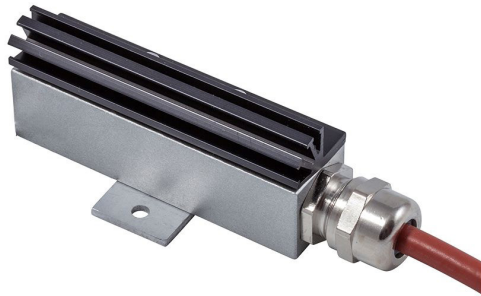


PTC - HEATER



TYPE: P-SSM

Power range: 20W - 30W
 Voltage range: 110V - 265V

self-regulating
 dynamically heating
 high voltage range
 elaborated system with cooling fins



Technical data

Order-No.	820000	820001
Voltage ¹	230V AC	
Power	20W	30W
Operating current	0,10A	0,15A
Weight	155g	125g
Dimensions (LxWxH)	95,6x40x34mm	205x83,6x92,6mm
Ingress protection	IP54	
Safety class	SK II	
Operating temperature range / Storage temperature	-40 – +70 °C	
Connection cable ²	0,25m 2x0,75mm ² silicone	
Heating element	PTC-cartridge	
Mounting ²	screw-mounting	
Type of connection	wiring cable 0,25m 2x0,75mm ² silicone	
Surface temperature (at 20 °C ambient temperature)	80-90°C	120-155°C
Mounting position	vertical	

(1) customized production for different voltage and temperature settings are available on request

(2) customized production for different cable length and mounting are available on request



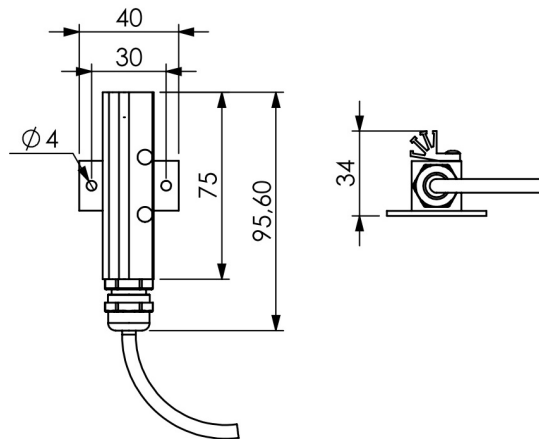
Special voltage

Special temperature settings

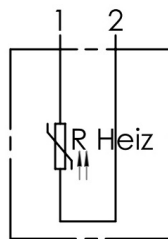
not available

not available

Dimensions



Wiring diagram



U	bn (1)	bl (2)
24V DC	+	-
24V AC	~	~
110-265V DC	+	-
110-265V AC	L1	N (L2)

The information described on this data sheet contains descriptions or characteristics, which could not apply in the described way in the concrete case. The information of the products can also change in the course of development. The desired characteristics are only binding in the case that they have been explicitly agreed with a contract conclusion. Delivery possibilities and technical changes reserved.

The mentioned technical data have been determined under labor conditions by universal test instructions. Only insofar characteristics are ensured. The test for the suitability for the intended use scheduled by the purchaser is incumbent on the purchaser; we do not take warranty for that. Errors reserved.