

PTC - HEATING



TYPE: P-70

Power range: 20W- 75W
 Voltage range: 110V - 240V AC/DC

- High safety and energy efficiency thanks to the PTC effect
- Easy installation thanks to the DIN clip and terminal strip
- Optionally also available without touch protection



Technical data

Order No.	825102	825103	825104	825105
Voltage	110-240V AC/DC			
Power	20W	30W	50W	75W
Operating current	0.10A	0.15A	0.24A	0,33A
Weight	approx. 150 g			
Dimensions (LxWxH)	103 x 76.7x 38,5mm			
Ingress class	IP20			
Safety class	II			
Operating temperature / Storage temperature	-40 – +70°C			
Type of connection	Connection terminal			
Heating element	PTC - heating element			
Mounting	snap-mounting for 35mm DIN rail EN 50022			
Mounting position	vertical			



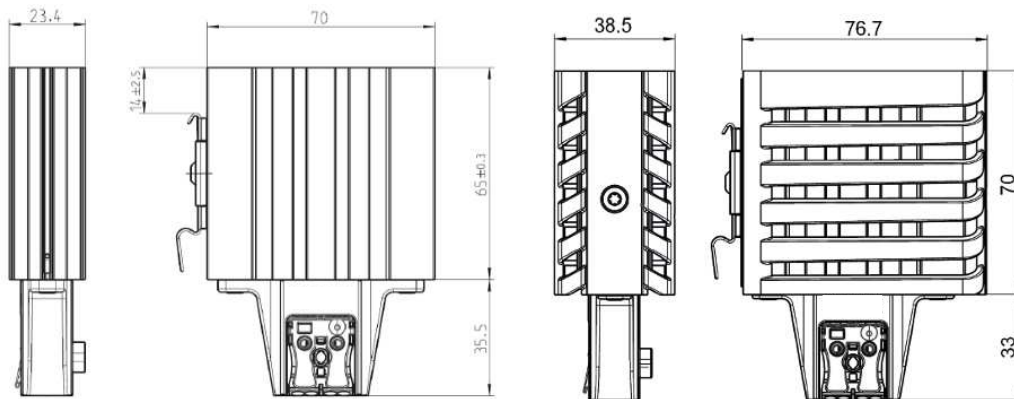
Special voltages

special temperature settings

not available

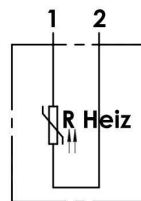
not available

Dimensional drawing



! Danger! Heating may only be installed with a distance of 50mm to the side and above 100mm to the next component.

Circuit diagram



U	bn (1)	bl (2)
110-240V DC	+	-
110-240V AC	L1	N (L2)

The information on this data sheet contains descriptions and performance characteristics which do not always apply in the form described in the specific application or which may change due to further development of the products. The desired performance features are only binding if they were expressly agreed upon when the contract was concluded. Delivery options and technical changes reserved. The technical data mentioned were determined under laboratory conditions according to generally applicable test regulations.

Properties are only guaranteed to this extent. It is the responsibility of the client to check the suitability for the purpose intended by the client, or for use under the conditions of use; We do not assume any warranty for this. Errors excepted.