



## BLOWER HEATER

TYPE: GH2000/GH4000

Power range: 2000W - 4000W  
 Voltage range: 115V - 400V

high quality fans  
 robust metal case  
 vibration-secured  
 temperature limiter



### Technical data

Order-No.	840000	840001
Voltage <sup>1</sup>	230V AC	
Power	2000W	4000W
Operating current	8,70A	17,40A
Weight	10,200 kg	17,800 kg
Dimensions (LxWxH)	372,9x267x129,5mm	372,9x471x129,5mm
Ingress protection	IP20	
Safety class	SK I	
Operating temperature range / Storage temperature	-40 – +70 °C	
Connection cable <sup>2</sup>	2,00 m 3x1,5 mm <sup>2</sup>	
Heating element	High performance cartridge, PTC-heating register	
Mounting <sup>2</sup>	screw-mounting	
Type of connection	wiring cable 2,00mx0,75mm <sup>2</sup>	
Temperature limiter	71°C +/- 7,5 K differential gap	
Fan	fan durability: 50.000h air power: 570m <sup>3</sup> /h (free-blowing) blowing-out temperature: ca. 43°C (2000W) ca. 53°C(4000W)	
Mounting position	vertical (air outlet above or lateral)	

(1) customized production for different voltage and temperature settings are available on request

(2) customized production for different cable length and mounting are available on request



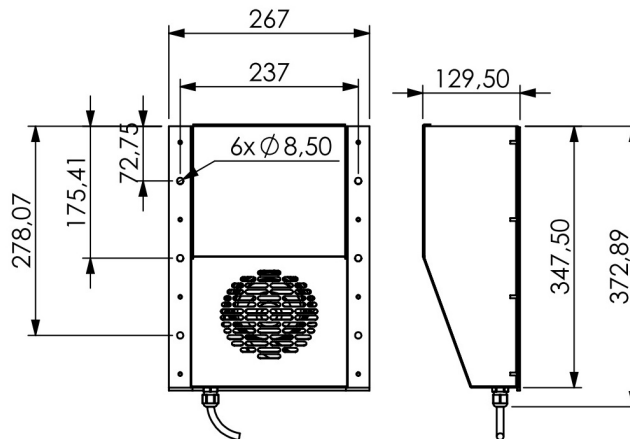
### Special voltage

### Special temperature settings

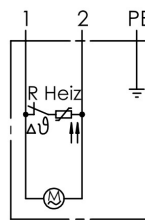
not available

not available

### Dimensions



### Wiring diagram



U	bn (1)	bl (2)	gn/ge (3)
115V 50/60Hz	L1 / L2 / L3	N	PE
230V 50/60Hz	L1 / L2 / L3	N	PE

U	bn	sw1	sw2	bl	gn/ge
400V 3ph	L1	L2	L3	N	PE

The information described on this data sheet contains descriptions or characteristics, which could not apply in the described way in the concrete case. The information of the products can also change in the course of development. The desired characteristics are only binding in the case that they have been explicitly agreed with a contract conclusion. Delivery possibilities and technical changes reserved.

The mentioned technical data have been determined under labor conditions by universal test instructions. Only insofar characteristics are ensured. The test for the suitability for the intended use scheduled by the purchaser is incumbent on the purchaser; we do not take warranty for that. Errors reserved.