



## EX-CONTROLLER

Ex-certificate-no.: IBEU11ATEX1027 X  
Code no. of certification centre: IBEU: 0637

- zone 1/21
- different versions
- temperature zone 5-60°C
- contact versions normally close or normally open

Type: Ex-R-1/21

fixed adjusted

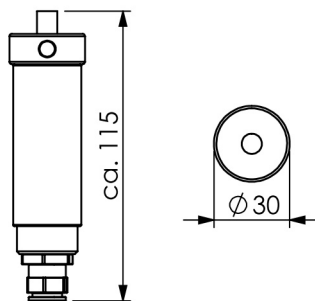


## Technical data

	DESCRIPTION	ORDER INDEX
Kind of protection	IP66/67	IP66/67
Protection class	PC I	-
Operation- / storage temperature	-40°C ... +60°C	-
Wiring cable	0,50m 3x1,50mm <sup>2</sup> *	exact specification
Connection	wiring cable 3x1,50 mm <sup>2</sup>	AL
Temperature class	Ex II 2G Ex db IIC T6 Gb Ex II 2D Ex tb IIIC T85 °C Db	
Mounting position	optional	-
Operating voltage / switching current	230V AC / 10A - 115V AC / 15A	-

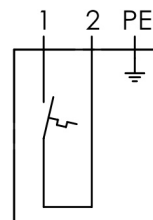
\* variable length is possible

## Dimension

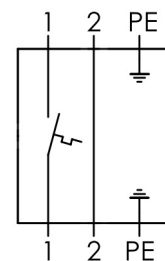


## Wiring diagrams

cable thermostat



switch thermostat



## Standard versions

ORDER-NO.	CASE TYPE	CONTACT**	SWITCH-ON TEMPERATURE***	DIMENSIONS	CONNECTION
ExR-1/21-KTOx-10°C	KTx / cable thermostat	normally close	10°C	115x30mm	cable 0,50m
ExR-1/21-KKTSx-40°C	KKTx / switch thermostat	normally open	40°C	130x30mm	cable 0,50m
ExR-1/21-KTO-20°C	KT / cable thermostat with stain-relief	normally close	20°C	158x30mm	cable 0,50m
ExR-1/21-KKTO-10°C	KKT / switch thermostat with stain-relief	normally close	10°C	216x30mm	cable 0,50m

\*\* all versions available as normally close or normally open contact \*\*\* all versions available for the temperature zone 5-60°C

The information described on this data sheet contains descriptions or characteristics, which could not apply in the described way in the concrete case. The information of the products can also change in the course of development. The desired characteristics are only binding in the case that they have been explicitly agreed with a contract conclusion. Delivery possibilities and technical changes reserved.

The mentioned technical data have been determined under labor conditions by universal test instructions. Only insofar characteristics are ensured. The test for the suitability for the intended use scheduled by the purchaser is incumbent on the purchaser; we do not take warranty for that. Errors reserved. Status: 08/2017