

# CONTROL CABINET HEATER WITH INTEGRATED THERMOSTAT

MAXI AL



- ▶ Ceramic heating elements
- ▶ No PTC effect
- ▶ With integrated thermostat
- ▶ Low surface temperature
- ▶ Easy and quick mounting via DIN clip
- ▶ Special voltages possible <sup>1</sup>
- ▶ Various temperature settings possible <sup>2</sup>

HEATING

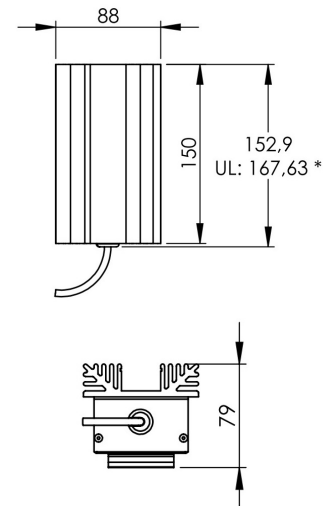
EAC CE UK CA <sup>4</sup> **MADE IN GERMANY**

Our „Maxi“ cabinet heater allows for individual customization of connection voltages, temperature settings, and mounting types for various applications. In many cases, thanks to the integrated thermostat which also protects against overheating, no external controller is required. This enables the maintenance of a constant environment temperature within the cabinet and ensures the safety of the components inside.

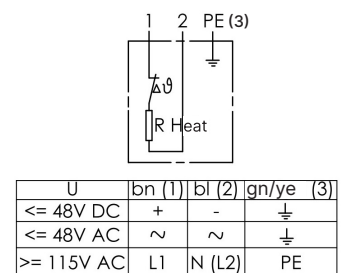
## TECHNICAL DATA

Art.-No.	803000	803001	803002
<b>Voltage <sup>1</sup></b>	230V AC		
<b>Operating current</b>	0,57A	0,65A	0,78A
<b>Power</b>	130W	150W	180W
<b>Weight</b>	700g		
<b>Dimensions (LxWxD)</b>	152,9×88×79mm		
<b>Protection type <sup>5</sup></b>	IP30		
<b>Protection class</b>	I (Protective grounding)		
<b>Operating temperature/ Storage temperature</b>	-40°C to +70°C		
<b>Heating element</b>	Ceramic heating elements		
<b>Mounting connection <sup>3</sup></b>	Snap-on mounting for 35mm DIN rail; EN 60715		
<b>Type of connection <sup>3</sup></b>	0,50m PVC-Connection cable 3×0,75mm <sup>2</sup>		
<b>Housing material</b>	Aluminium housing		
<b>Temperature setting (self-temperature) <sup>2</sup></b>	<25°C On / 60°C Off (Standard)		
<b>Maximum surface temperature</b>	70°C		
<b>Mounting position</b>	Vertical		
<b>Certifications <sup>4</sup></b>	CE, EAC, UKCA		

### TECHNICAL DRAWING (SPECIFICATION IN MM)



### WIRING DIAGRAMM



(1) Special voltages e.g.: 12V AC/DC, 24V AC/DC, 48V AC/DC, 115V AC, 400V AC available upon request.  
 (2) Temperature settings, <10°C On/60°C Off (Antifreeze), <35°C On/70°C Off (Tropic), <50°C On/80°C Off (High Tropic) available upon request.  
 (3) Other cable lengths and attachments available upon special request.  
 (4) UL version available upon request; UL-File: E317613.  
 (5) IP54 available upon request.

STATUS: 04|2024

The information on this datasheet contains descriptions and performance characteristics that may not always apply in the specific use case described or may change due to product development. The desired performance characteristics are only binding if expressly agreed upon at the time of contract conclusion. The mentioned technical data has been determined under laboratory conditions according to generally accepted testing procedures. Only to this extent are properties assured. The examination of suitability for the intended purpose or use under operating conditions lies with the customer. We do not provide any warranty for this. Errors, availability, and technical changes are subject to change without notice.