



PTC - HEATER

TYPE: P - 25

Power range: 20W - 70W
 Voltage range: 110V - 265V

self-regulating
 dynamically heating
 high voltage zone
 elaborated system with cooling fins



Technical data

Order-No.	822004	822005	822006	822007
Voltage ¹	230V AC			
Power	20W	30W	50W	70W
Operating current	0,10A	0,10A	0,15A	0,25A
Weight	200g	205g	260g	290g
Dimensions (LxWxH)	80x25x62,6mm	95x25x62,6mm	125x25x62,6mm	145x25x62,6mm
Ingress protection	IP20 / IP30 (AL)			
Safety class	SK II			
Operating temperature range / Storage temperature	-40 – +70 °C			
Type of connection	WAGO block 2-pole			
Heating element	PTC-cartridge			
Mounting ²	snap-mounting for 35mm DIN-rail			
Surface temperature (at 20 °C ambient temperature)	80 - 105°C	90 - 110°C	100 - 120°C	110 - 125°C
Mounting position	vertical			

(1) customized production for different voltage and temperature settings are available on request
 (2) customized production for different mounting are available on request



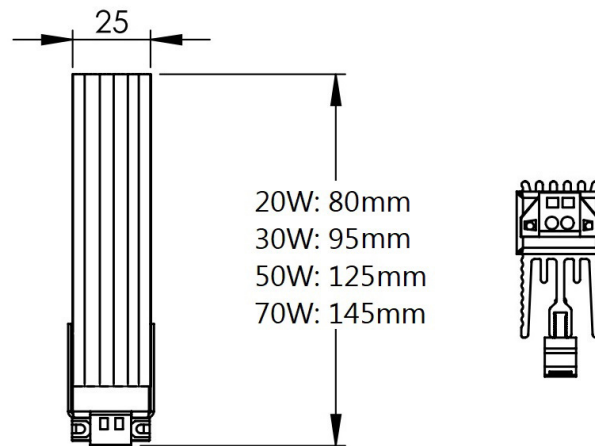
Special voltage

Special temperature settings

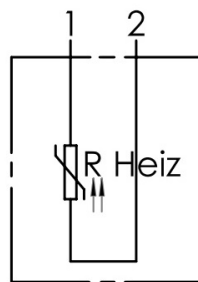
not available

not available

Dimensions



Wiring diagram



U	bn (1)	bl (2)
110-265V DC	+	-
110-265V AC	L1	N (L2)

The information described on this data sheet contains descriptions or characteristics, which could not apply in the described way in the concrete case. The information of the products can also change in the course of development. The desired characteristics are only binding in the case that they have been explicitly agreed with a contract conclusion. Delivery possibilities and technical changes reserved.

The mentioned technical data have been determined under labor conditions by universal test instructions. Only insofar characteristics are ensured. The test for the suitability for the intended use scheduled by the purchaser is incumbent on the purchaser; we do not take warranty for that. Errors reserved.