



PTC - HEATER

- self-regulating
- IP65
- high voltage zone
- elaborated system with cooling fins

Type: P-65

Power range: 20W – 50W**
Voltage range: 12V – 48V, 110V – 265V



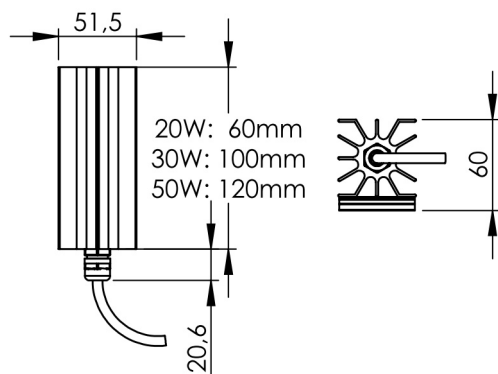
Technical data

	DESCRIPTION	ORDER INDEX
Kind of protection	IP65	IP65
Protection class	PC II	-
Operation- / storage temperature	-40 – +70 °C	-
Surface temperature (at 20°C surrounding temperature)	20W: 80-90°C; 30W: 85-95°C; 50W: 90-105°C	-
Wiring cable	0,40m 2x0,75mm ² silicone *	exact specification
Heating element	PTC-cartridge	-
Mounting	snap-mounting for 35mm DIN-rail	SPS
Connection	wiring cable 2x0,75mm ² silicone	AL
Mounting position	vertical	-
Special voltages	12V - 48V (only possible with 20W)	exact specification

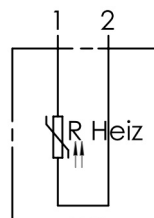
* variable length is possible

** at 0° C ice water

Dimension



Wiring diagram



U	bn (1)	bl (2)
12-48V DC	+	-
12-48V AC	~	~
110-265V DC	+	-
110-265V AC	L1	N (L2)

Standard versions

ORDER-NO.	VOLTAGE	POWER	OPERA.CURRENT	INRUSH CURRENT	WEIGHT	DIMENSIONS	CONNECTION	MOUNTING
P26520AL2	110-265V AC/DC	20W	0,10A	1,20A	250g	60x51,5x60mm	cabl 0,40m	snap
P26530AL2	110-265V AC/DC	30W	0,15A	1,30A	350g	100x51,5x60mm	cabl 0,40m	snap
P26555AL2	110-265V AC/DC	50W	0,25A	1,50A	450g	120x51,5x60mm	cabl 0,40m	snap

The information described on this data sheet contains descriptions or characteristics, which could not apply in the described way in the concrete case. The information of the products can also change in the course of development. The desired characteristics are only binding in the case that they have been explicitly agreed with a contract conclusion. Delivery possibilities and technical changes reserved.

The mentioned technical data have been determined under labor conditions by universal test instructions. Only insofar characteristics are ensured. The test for the suitability for the intended use scheduled by the purchaser is incumbent on the purchaser; we do not take warranty for that. Errors reserved. Status: 04/2018