

FAN HEATER

TYPE: VENTSTAR M

Power range: 180W - 500W
 Voltage range: 24V - 230V

high quality fans
 robust metal case
 vibration-secured
 temperature limiter



Technical data

Order-No.	832004	832005	832006	832007
Voltage ¹	230V AC			
Power	180W	250W	400W	500W
Operating current	0,78A	1,09A	1,74A	2,17A
Weight	1350 g			
Dimensions (LxWxH)	135 x 106 x 101,6 mm			
Ingress protection	IP20			
Safety class	SK I			
Operating temperature range / Storage temperature	-40 – +70 °C			
Heating element	ceramic heating elements			
Mounting ²	snap-mounting for 35mm DIN-rail			
Type of connection	WAGO block 3- polig			
Temperature limiter	71°C +/- 7,5 K differential gap			
Fan	fan durability: 50.000h air power: 45m ³ /h (free-blowing) blowing-out temperature: 40°C (250W); 110°C (500W) optional in selectable form with a separate wiring cable			
Mounting position	vertical			

(1) customized production for different voltage and temperature settings are available on request
 (2) customized production for different mounting is available on request



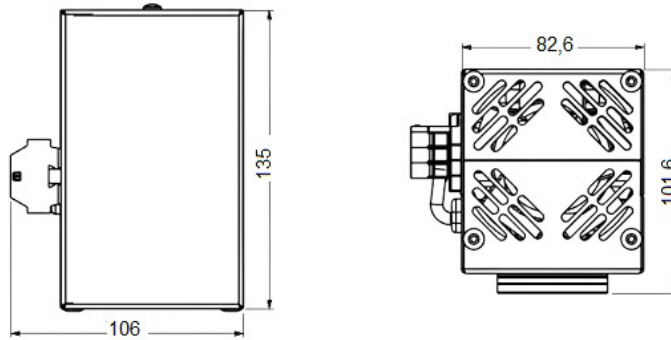
Special voltage

Special temperature settings

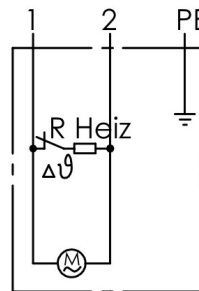
not available

not available

Dimensions



Wiring diagram



U	bn (1)	bl (2)	gn/ge (3)
115V AC 50-60Hz	L1	N	PE
230V AC 50Hz	L1	N	PE

The information described on this data sheet contains descriptions or characteristics, which could not apply in the described way in the concrete case. The information of the products can also change in the course of development. The desired characteristics are only binding in the case that they have been explicitly agreed with a contract conclusion. Delivery possibilities and technical changes reserved.

The mentioned technical data have been determined under labor conditions by universal test instructions. Only insofar characteristics are ensured. The test for the suitability for the intended use scheduled by the purchaser is incumbent on the purchaser; we do not take warranty for that. Errors reserved.