

SWITCH CABINET HEATER WITH FAN

VENTSTAR M DK



- ▶ Fan heater
- ▶ Ceramic heating elements
- ▶ No PTC effect
- ▶ Low surface temperature
- ▶ Easy and quick mounting via DIN clip
- ▶ Special voltages possible ¹

HEATING



MADE IN GERMANY

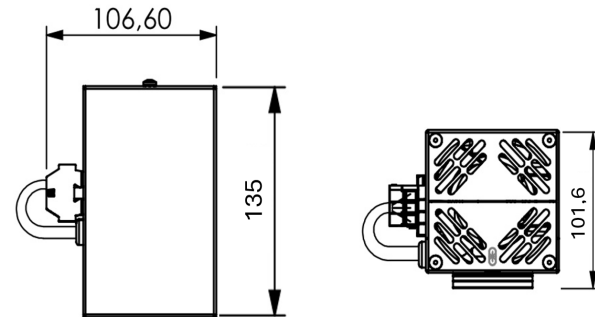
The Ventstar M cabinet heater is an efficient fan heater that has been specially developed to protect electronic equipment from condensation and frost. It ensures even heat distribution and reacts quickly to temperature changes. Its compact design makes it easy to integrate into existing systems. In addition, the heater can be individually adapted to different connection voltages, mounting types and connection types.

TECHNICAL DATA

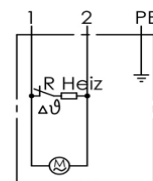
Art.-No.	832004	832005	832006	832007
Voltage ¹	230V AC			
Operating current	0,78A	1,09A	1,74A	2,17A
Power	180W	250W	400W	500W

Weight	1350g
Dimensions (LxWxD)	135x106x101,6mm
Protection type	IP20
Protection class	I (Protective grounding)
Operating temperature/ Storage temperature	-40°C to +70°C
Heating element	Ceramic heating elements
Mounting connection ²	Snap-on mounting for 35mm DIN rail; EN 60715
Type of connection	Connection terminal 0,08-4mm ²
Housing material	Aluminium housing
Fan	Fan volume flow: 45 m ³ /h (50Hz) / 54,6m ³ /h (60Hz) Service life: 100.000 h at +25°C
Temperature safety cut-out	71°C +/- 7,5K (Overheating protection)
Mounting position	Vertical
Certifications	CE, EAC, UKCA

TECHNICAL DRAWING
(SPECIFICATION IN MM)



WIRING DIAGRAMM



U	bn (1)	bl (2)	gn/ge (3)
24V DC	+	-	⊥
24V AC	~	~	⊥
115V AC 50-60Hz	L1	N	PE
230V AC 50Hz	L1	N	PE

(1) Special voltages e.g.: 12V AC/DC, 24V AC/DC, 48V AC/DC, 115V AC, 400V AC available upon request.
(2) Other fastenings (e.g. screw fastening) possible on special request

STATUS: 01|2025

The information on this datasheet contains descriptions and performance characteristics that may not always apply in the specific use case described or may change due to product development. The desired performance characteristics are only binding if expressly agreed upon at the time of contract conclusion. The mentioned technical data has been determined under laboratory conditions according to generally accepted testing procedures. Only to this extent are properties assured. The examination of suitability for the intended purpose or use under operating conditions lies with the customer. We do not provide any warranty for this. Errors, availability, and technical changes are subject to change without notice.