

HEATER WITH BLOWER

GH4000



- ▶ Blower heater
- ▶ High-performance blower
- ▶ Low surface temperature
- ▶ High power range
- ▶ Special voltages possible ¹

HEATING



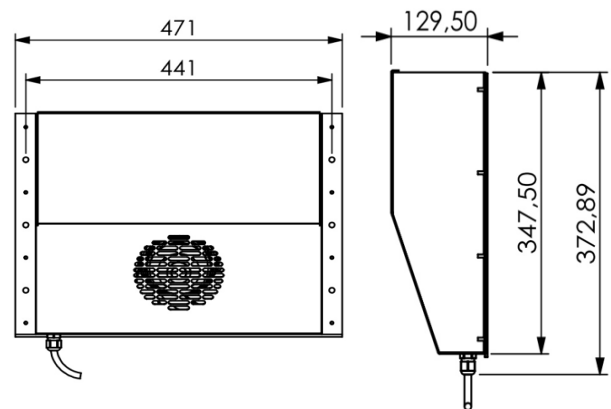
MADE IN GERMANY

The GH4000 heater is a powerful fan heater that has been specially developed to keep rooms and appliances at a constant ambient temperature. The powerful blower ensures even heat distribution and its high output provides optimum protection, even under demanding ambient conditions. In addition, the heater can be adapted to different connection voltages and connection types to suit a wide range of applications.

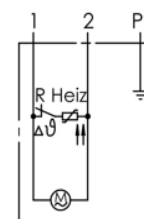
TECHNICAL DATA

Art.-No.	840001
Voltage ¹	230V AC
Operating current	17,39A
Power	4000W
<hr/>	
Weight	17,80kg
Dimensions (LxWxD)	372,9x471x129,5mm
Protection type	IP20
Protection class	I (Protective grounding)
Operating temperature/ Storage temperature	-40°C to +70°C
Heating element	High performance cartridge
Mounting connection	Screw-mounting
Type of connection ²	2,0m PVC-Connection cable 3x2,50mm ²
Housing material	Aluminium housing
Fan	Fan volume flow: 540 m ³ /h (50Hz) / 590m ³ /h (60Hz) Service life: 50.000 h at +25°C
Temperature safety cut-out	71°C +/- 7,5K (Overheating protection)
Mounting position	Vertical
Certifications	CE, EAC, UKCA

TECHNICAL DRAWING
(SPECIFICATION IN MM)



WIRING DIAGRAMM



U	bn (1)	bl (2)	gn/ge (3)
115V 50/60Hz	L1 / L2 / L3	N	PE
230V 50/60Hz	L1 / L2 / L3	N	PE

(1) Special voltage 400V AC available upon request.
(2) Other cable lengths possible on special request

STATUS: 01|2025

The information on this datasheet contains descriptions and performance characteristics that may not always apply in the specific use case described or may change due to product development. The desired performance characteristics are only binding if expressly agreed upon at the time of contract conclusion. The mentioned technical data has been determined under laboratory conditions according to generally accepted testing procedures. Only to this extent are properties assured. The examination of suitability for the intended purpose or use under operating conditions lies with the customer. We do not provide any warranty for this. Errors, availability, and technical changes are subject to change without notice.