



EX-HEATER

TYPE: EX-HEATER ZONE 2/22

Power range: 70W - 400W
 Voltage range: 115V, 230V

zone 2/22
 use in explosion-endangered
 high kind of protection



Technical data

Order-No.	851001	851002	851003	851004	851005
Voltage ¹	230V AC				
Power	70W	100W	200W	315W	400W
Operating current	0,30A	0,43A	0,87A	1,37A	1,74A
Temperature class (according to power)	⚠ II 3G Ex db IIC T4 Gb ⚠ II 3G Ex db IIC T3 Gb		⚠ II 3D Ex tb IIIC T135°C Db ⚠ II 3D Ex tb IIIC T200°C Db		70W,100W 200W,315W, 400W
Weight	2600g	3000g	4600g	4600g	6800g
Dimensions (LxWxH)	120x129x100mm	150x129x100mm	250x129x100mm	250x129x100mm	400x129x100mm
Ingress protection	IP66				
Safety class	SK I				
Operating temperature range / Storage temperature	-40°C ≤ Ta ≤ +60 °C				
Connection cable ²	1,00m 3x1,50mm ²				
Heating element	high performance cartridge				
Mounting ²	snap-mounting for 35mm DIN-rail				
Type of connection	wiring cable 3x1,50mm ²				
Heater	aluminium profile black anodized				
Mounting position	vertical				

(1) customized production for different voltage and temperature settings are available on request
 (2) customized production for different cable length and mounting are available on request



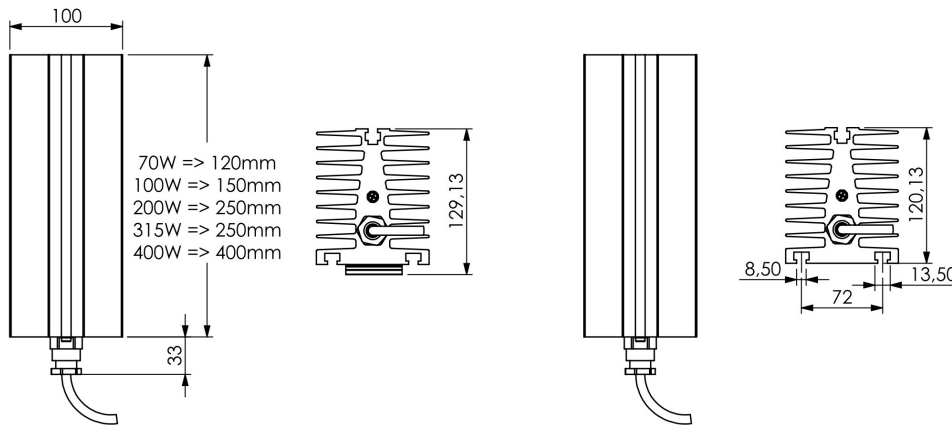
Special voltage

Special temperature settings

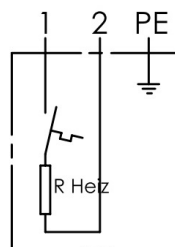
not available

not available

Dimensions



Wiring diagram



U	bn (1)	bl (2)	gn/ge (3)
>= 115V AC	L1	N (L2)	PE

The information described on this data sheet contains descriptions or characteristics, which could not apply in the described way in the concrete case. The information of the products can also change in the course of development. The desired characteristics are only binding in the case that they have been explicitly agreed with a contract conclusion. Delivery possibilities and technical changes reserved.

The mentioned technical data have been determined under labor conditions by universal test instructions. Only insofar characteristics are ensured. The test for the suitability for the intended use scheduled by the purchaser is incumbent on the purchaser; we do not take warranty for that. Errors reserved.