

# PELTIER-COOLING

## ST-H 3030 / ST-A 3030



- ▶ Thermoelectric coolers
- ▶ Cooling without refrigerant
- ▶ Robust and reliable stainless steel design
- ▶ Flexible installation
- ▶ Protection type IP66 / UL Type 12, 4, 4X
- ▶ Maintenance-free
- ▶ Suitable for indoor and outdoor applications
- ▶ Accessories for condensate drainage and control systems available

COOLING

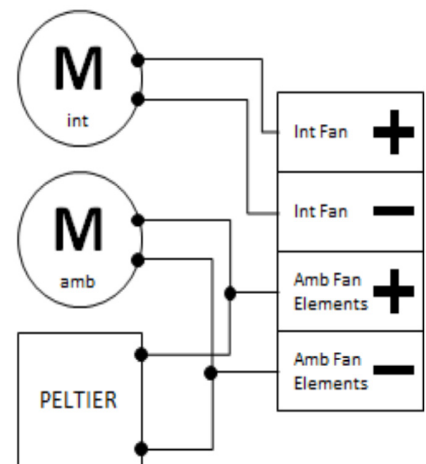


Our ST series Peltier cooling units are thermoelectric cooling units for industrial use. They use the Peltier effect for reliable cooling without refrigerants and can be flexibly installed in almost any position – as a recessed or wall-mounted version, suitable for different housings. With a power range from 30W to 800W, they are suitable for a wide range of applications, from small control enclosures to large switch cabinets. The units operate safely even in dusty or oily environments and at temperatures from -20°C to +70°C. Due to their robust design and IP66 protection class, they are ideally suited for both indoor and outdoor applications. **Note:** Depending on the installation situation, condensate management must be taken into account separately and adjusted if necessary to ensure proper functioning.

### TECHNICAL DATA

Art.-No.	920000	920100
Voltage	12V DC	
Inrush current	4,3A	
Operating current	2,8A	
Cooling capacity L35 L35	30W	
Nominal power	34W	
Recommended fuse	5A (T)	
Air flow volume (system / unimpeded)	Ambient air circuit: 39 / 75m³/h Cabinet air circuit: 20 / 62m³/h	
Protection type	IP66 / UL Type 12, 4, 4X	
Type of connection	Connection terminal block	
Operating temperature range	-20°C bis +70°C	
UL temperature range	-20°C bis +65°C	
Storage temperature	-40°C bis +70°C	
Mounting connection	Recessed	Wall mounted (with frame)
Dimensions (AxBxC (D+E))	110×154×132 (67+65)mm	212×158×137mm
Weight	1,8kg	2,6kg
Cut out dimensions	122×90mm	180×128mm
Housing material <sup>1</sup>	Stainless steel AISI 304 (V2A)	
Certifications	CE, UKCA, cURus	

### WIRING DIAGRAM



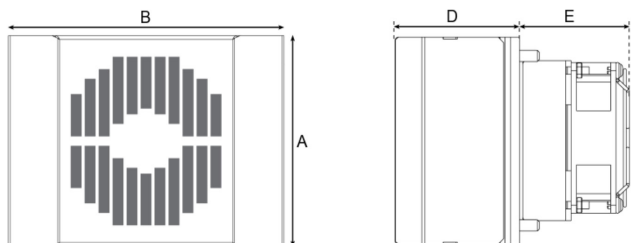
(1) Part number for stainless steel version (AISI 316 (V4A)) available on request.

STATUS: 08|2025

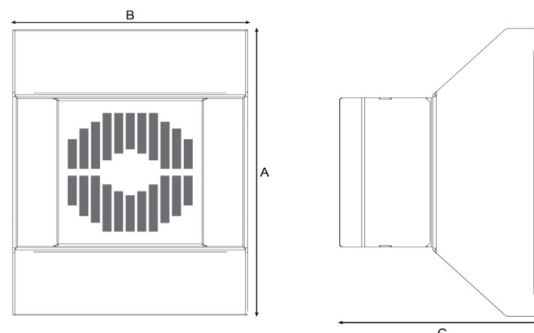
The information on this datasheet contains descriptions and performance characteristics that may not always apply in the specific use case described or may change due to product development. The desired performance characteristics are only binding if expressly agreed upon at the time of contract conclusion. The mentioned technical data has been determined under laboratory conditions according to generally accepted testing procedures. Only to this extent are properties assured. The examination of suitability for the intended purpose or use under operating conditions lies with the customer. We do not provide any warranty for this. Errors, availability, and technical changes are subject to change without notice.

# TECHNICAL DRAWING (SPECIFICATION IN MM)

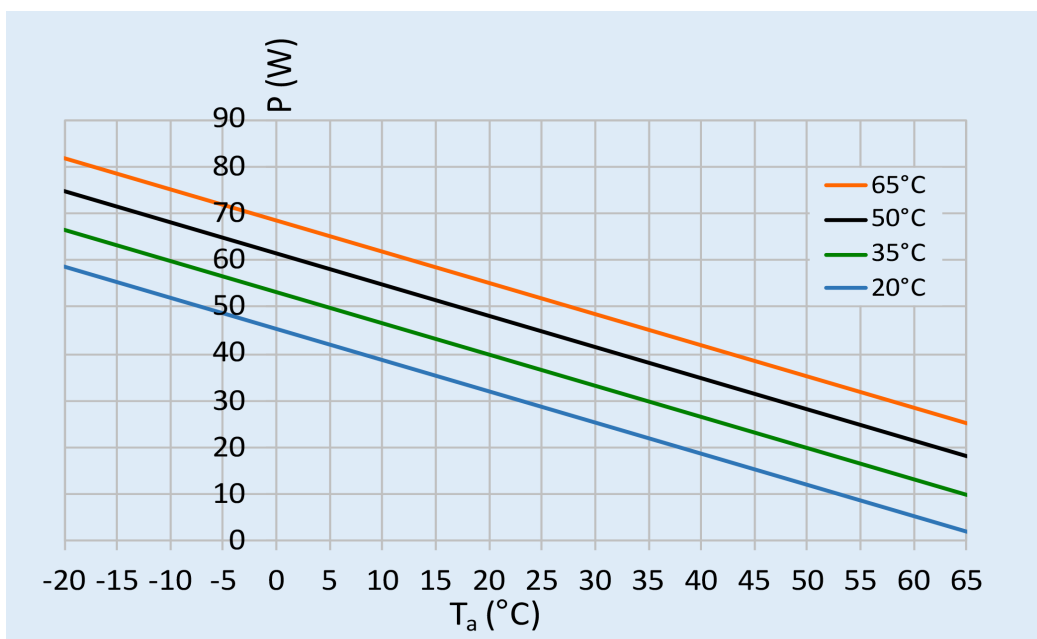
**Recessed-Version  
920000**



**Wall mounted-Version  
920100**



## PERFORMANCE GRAPH



## ACCESSORIES:

Art.-No.	Description	Image
920814	Peltier Condensate kit for ST3030/3035/3050	
960000	Condensation drain socket IP66	

STATUS: 08|2025

The information on this datasheet contains descriptions and performance characteristics that may not always apply in the specific use case described or may change due to product development. The desired performance characteristics are only binding if expressly agreed upon at the time of contract conclusion. The mentioned technical data has been determined under laboratory conditions according to generally accepted testing procedures. Only to this extent are properties assured. The examination of suitability for the intended purpose or use under operating conditions lies with the customer. We do not provide any warranty for this. Errors, availability, and technical changes are subject to change without notice.