

NEW!**OUR PTC HEATING
P70 SERIES (20W-240W)****FEATURES**

- Powerful PTC heating for protection against moisture and frost
- Power available from 20 W to 240 W
- Multi-voltage capable in the range from 110 to 240 V AC/DC
- High safety and energy efficiency thanks to PTC effect
- Anodized aluminium profile/thermal decoupling to the top-hat rail
- Quick installation thanks to DIN clip and clamping block
- +/- 20 mm height-adjustable DIN clip
- Optional touch protection
- Operation up to -40 °C

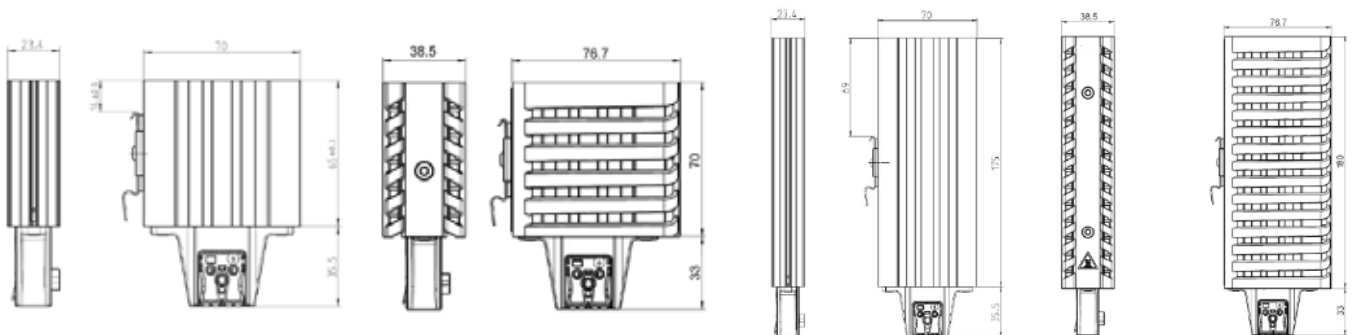
UL approval, File-Nr.: E317613



TECHNICAL DATA

P70 SERIES.

Performances	20W	30W	50W	75W	100W	125W	150W	175W	240W
Voltage range	110-240V AC/DC								
Operating current	0,10A	0,15A	0,24A	0,33A	0,48A	0,60A	0,72A	0,76A	1,04A
Dimensions (LxWxH)	100,5×70×23,4mm				210,5×70×23,4mm				210,5×70×46,8mm
Contact protection	Optionally available with contact protection								not possible
Protection class	IP 20								
Operating temperature	-40°C - +70°C								
Heating element	PTC Heating element								
Connection type	Connection terminal								



Please visit us at: www.lm-therm.de

